

**OPT7 LED AURA™ UNDERBODY KITS Parts List:**

- 1 x LED Control Box
- 2 x 48" OPT7 LED Bars with Smart-Color™ LEDs
- 2 x 36" OPT7 LED Bars with Smart-Color™ LEDs
- 1 x E-Z Remote (Batteries Included)
- 1 x E-Z Keychain Remote (Batteries Included)
- 4 x 10ft LED Strip Extension Wire
- 1 x Mounting Hardware Kit

**12V Power Options:**

- A- 1 x Car Charger
- B- 3 x Direct Fuse Taps (3 Available Sizes)  
Control Box-Fuse wiring

**OPT7 LED AURA™ UNDERBODY KIT**  
**GENERAL INSTALLATION GUIDE**

This OPT7 LED Underbody Kit is unique in that installation is fully customizable. Therefore, we have offered a general guideline which includes “DO’s” and “DON’Ts” in regards to the general installation process. Please, carefully read through this manual prior to installation.

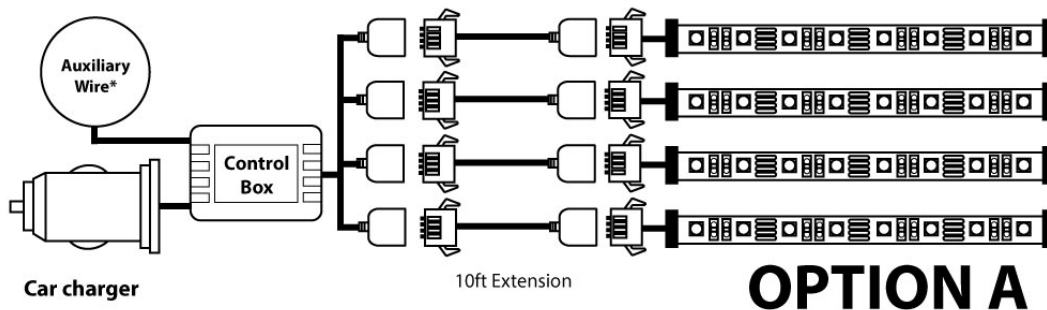


**Professional Installation is Highly Recommended  
May Require Drilling**



**5 Minute Underbody LED Kit Power Test**

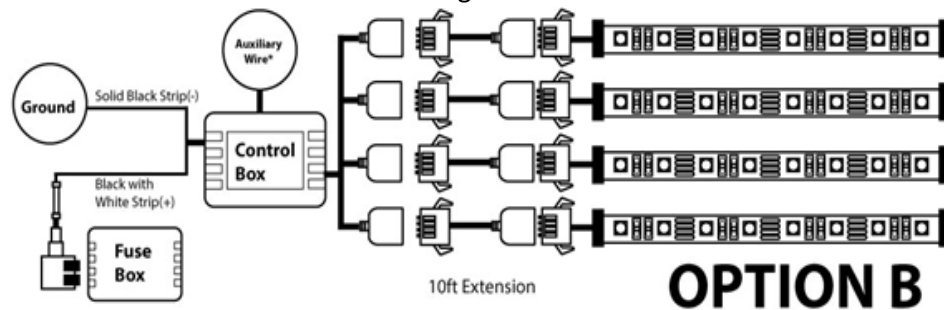
1. As shown below in **OPTION A**, connect all light strips to the control box via the included extension cables.
2. Once connected, plug the control box car charger into an available car charger port.
3. Turn on your vehicle and click “ON” on the car charger adapter.
4. Using the included E-Z Remote, click through each color and pattern.



## LED Underbody Kit Powering: Dos & Don'ts

### DO's

- **Select option A or B to connect the kit to a 12V power source**
  - **OPTION A:** Using car charger adapter- plug your cigarette adapter to any 12V power source inside your vehicle, connect to the control box and test for power.
  - **OPTION B:** Using Fuse Adapters – While a little more complex, this option gives your interior a cleaner look without extra wiring
    - Open the fuse box. Usually found underneath your driver footwell or in the engine bay.
    - Find an open slot or an existing fuse that matches the size of one of the 3 included fuse taps.
    - Connect the control box fuse wiring with the fuse tap by crimping the positive wire (black and white wire) fuse tap.
    - Connect the open negative wire to a ground (any metal surface)
    - Plug the fuse tap into the open fuse slot. If you also had to remove an existing fuse for the fuse tap, plug the removed fuse into the open slot of the fuse tap.
    - Plug the other end of control box-fuse wiring into the control box.



\***Auxiliary Wire:** Can be connected to another power source such as a dome or door light to active Door Assist Sync. This wire acts as a switch that when powered, will light up the LED strips white. If wire is not in use, please tape over ends with electrical tape.

### DON'Ts

- We do not recommend, nor does our warranty cover, a custom installation. We strongly recommend using one of the two options listed above.

### Mounting the Aura™ Control Box: DO's & DON'Ts

#### DO's

- Our control box also comes with an auxiliary third wire that is switch activated. You may use it to tap into another source that activates with your car such as a door or dome light.
- If you are not using the auxiliary third wire, we recommend you cover the end with electrical tape to prevent electrical interference.
- Do mount your control box in a secure location using double sided tape/Velcro tape/screw mount.

#### DON'Ts

**Do not place the control box in a location that may get wet. The control box is not waterproof and may get damaged in water. Water damage is not covered by our warranty**

- Do NOT CUT or shorten any of the wires on the Control Box. Doing so will void the warranty.
- Do NOT attempt to install the Auxiliary Wire/"Door-Assist" option without a licensed professional installer.
- Do NOT place any components of the LED underbody kit within 8 inches of hot (exhaust) or moving parts.

### LED Bar Mounting Locations: DO's & DON'Ts

#### DO's

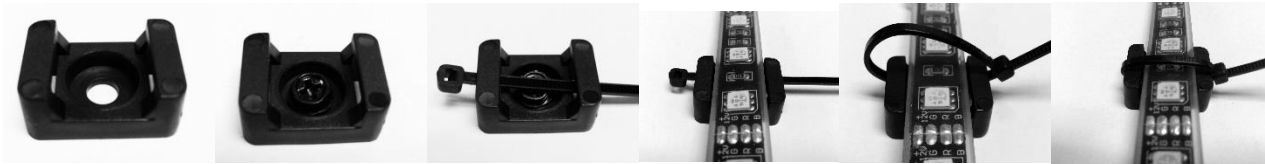
- We do strongly recommend this part of the installation be performed by a license professional installer.
- Do find a safe and open area to install the Aura Underbody Kit. We strongly recommend raising the vehicle on a car mount
- Do test the location of your lighting surface prior to mounting/drilling.
  - Loosely mount the LED light bars using tape (not included). This process should give you a good idea of how the underbody kit will look when it's fully mounted.
  - Turn the car key once to the Auxiliary Setting without starting the car. Ensure the Car Charger button is set on "ON". Activate the kit by using the E-Z Remote.
- Do use the proper size and type of drill bit for the type of surface being drilled.
- For the 48" bars that apply to the sides of the vehicle, we generally recommend mounting on a pinch weld or the side skirt molding.
- Test mount the extension wiring using tape prior to finalizing with zip ties.
- Do test the vehicle's clearance once it's back on the ground. Turn the steering wheel as far as possible in both directions to check for clearance or any moving parts. Parts damaged due to tire contact or any other moving parts voids the warranty.

## LED Mounting Bracket & Zip Tie Installation & Use

- **Brackets**

Screw the brackets into the desired location. Insert a provided zip-tie in-between the bracket as shown below. Place the LED bar on the bracket. Wrap the zip-tie over the LED bar and pull tight.

Use at least 3-4 mounting brackets per LED rod. Try to place them as straight as possible for proper alignment



- **Zip Ties**

If there are no mounting locations for the brackets, it is recommended that zip ties are used to secure the LED Bar. Find metal mounting points that the zip tie can loop around. If none are available, you may need to drill a mounting hole for the zip tie.

## 🚫🚫 Important DON'Ts 🚫🚫

- Do not drill or mount LED light rod onto or near the radiator.
- Do not drill multiple holes at the same time without testing/measuring fitment and alignment. Drill one hole at a time. Always drill the holes for the 2 end brackets first.
- Do not place any components of the underbody kit within 8-inches of any moving or hot surface.
- Be aware of brake lines and fuel lines when running the wires or mounting the LED light bar.
- Keep wires away from any moving parts. Use additional zip ties to minimize any wire slack.

### Finalizing Installation

- Do consider adding a bead of silicone gel, not included, around the edges of the snap-connectors™ to prevent corrosion of the connectors pins. This is especially recommended if your vehicle is exposed to salted roads.
- Do ensure that all wires and LED bars are securely mounted onto the vehicle.
- Do test for full remote functionality once all connections are in place.

## Dual Remote Control Features and Use



## Warranty and Disclaimer

The Opt 7 Color-Smart LED Strip Kit is covered by a 1 year limited warranty. The year period is defined as up to 1 year after the delivery date of the item. The warranty covers any failure or defect that can be directly attributed to the workmanship or manufacturing of the item. OPT7 and its representatives reserve the right to make the final determination in all warranty claims.

Installation of this product must be performed by a licensed professional. Should the failure of the product be the result of damage occurring as a result of improper installation, alteration of the product or an act or omission on the part of the consumer, this warranty is void. OPT7 Lighting shall not be responsible for any consequential damages which arise from the use and/or installation of the product. If the kit is installed in any manner other than specified, OPT7 Lighting reserves the right to deny any warranty claims at the discretion of the technical support department. Any product return must include the original packaging, invoice number and a statement of the alleged defect. Upon receipt of the returned product, the company will test the product for defect. If the results of the test do not support the warranty claim, do not reveal any defect or indicate consumer negligence in the installation and handling of the product, then the product will be returned to you and you will be charged a reshipping fee. If the product is returned from an address within the continental United States, within the first 30 days after purchase, and is found defective, OPT7 Lighting will exchange or refund the original purchase expense. This offer does not extend to the cost for shipping charges on any international packages.

### **Additional Disclaimer Terms**

Please refer to local and state laws for the proper use of this product! Improper installation of electrical products such as lighting could cause damage to a vehicle's electrical system or connected devices. Practice extreme caution and follow all established safety procedures and common sense best practices. This product could require the handling of high voltage wiring. Electricity could cause injury or death. Professional installation is strongly recommended. OPT7 Lighting will not be held responsible for any damage or cost whether direct or indirect incurred by the consumer in relation to any OPT7 Product. OPT7 Lighting reserves the right to alter, amend or terminate any portion of the aforementioned warranty above.

### **Return/Warranty Procedure**

Please contact us by e-mail at [Support@OPT-7.com](mailto:Support@OPT-7.com).