



INSTALLATION GUIDE

2005-2015

**Toyota Tacoma
Tail Lights**

Tool required :

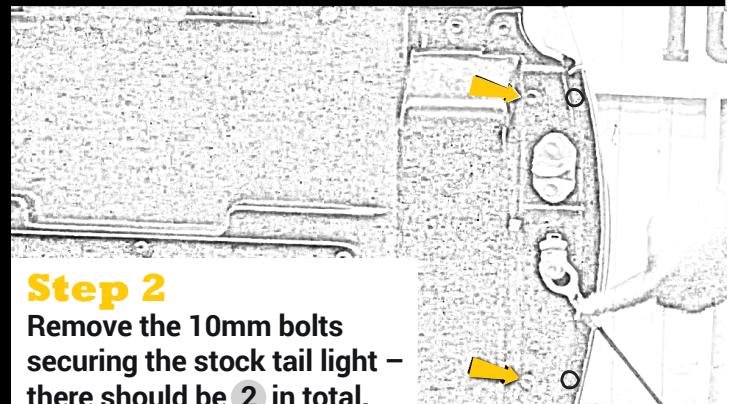
- 10mm socket
- Ratchet



If you are unfamiliar with your vehicle or inexperienced with aftermarket upgrades, professional installation is highly recommended.



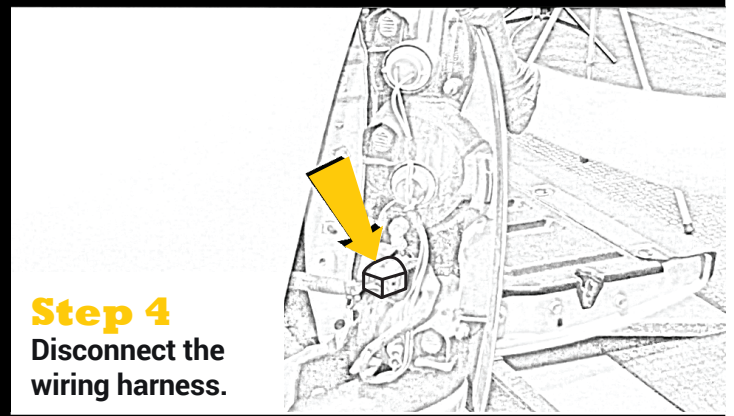
Step 1
Open the tailgate.



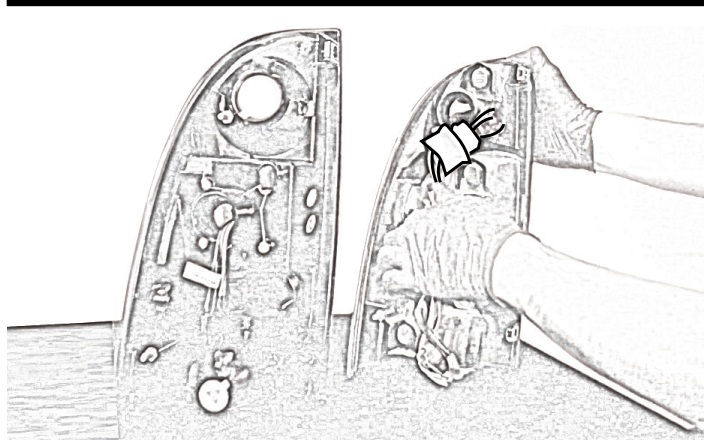
Step 2
Remove the 10mm bolts
securing the stock tail light -
there should be 2 in total.



Step 3
Unseat the
stock tail light.



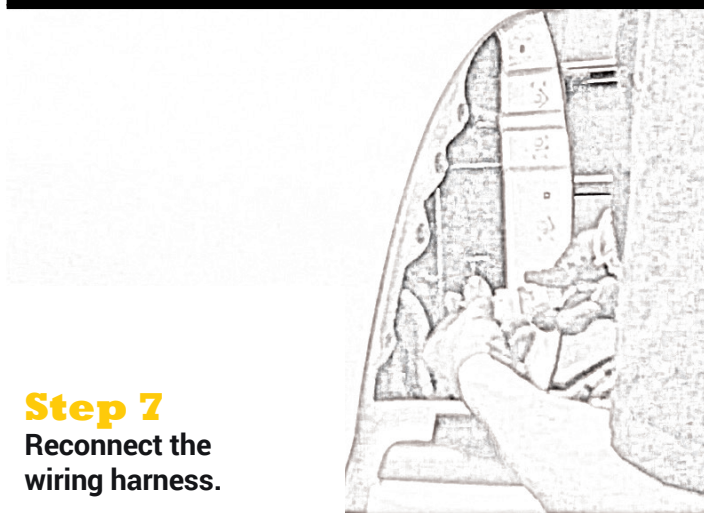
Step 4
Disconnect the
wiring harness.

**Step 5**

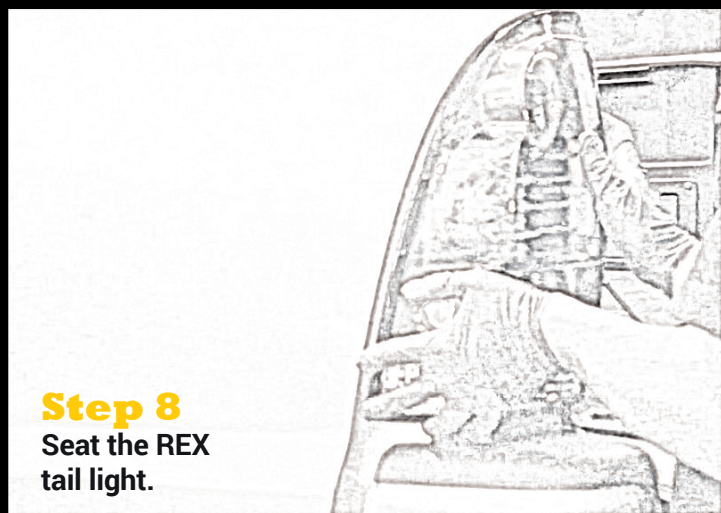
Remove the brake/parking light, reverse light sockets, and turn signal from the stock tail light. Transfer the bulb socket harness to the REX tail light. (Warning: Do not let bare skin come in contact with exposed bulbs.)

**Step 6**

Reinstall the reverse light sockets and turn signal into the REX tail light. Remove the brake/parking light bulb from the socket, and install the REX socket insert. Make sure the black wire sides of socket and insert are aligned.

**Step 7**

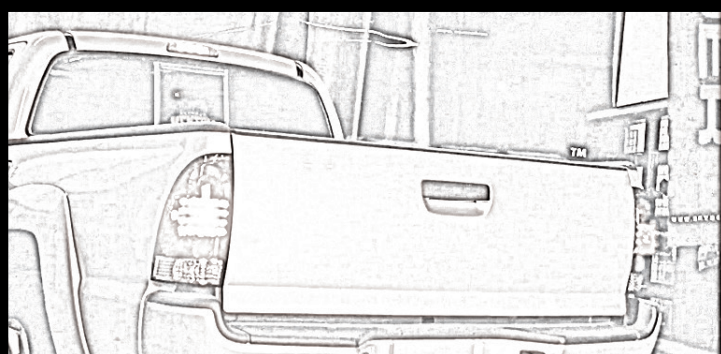
Reconnect the wiring harness.

**Step 8**

Seat the REX tail light.

**Step 9**

Secure the REX tail light by reinstalling the 10mm bolts – there should be 2 in total.

**Step 10**

Shut the tailgate. Time to get back on the road with your new REX tail lights!



Disclaimer

REX Lighting is not liable for damages, injuries, or death while installing the product. The Installation Guide is intended as assistance to reduce installation time. REX Lighting assumes no responsibility for improper installation. If you are unfamiliar with your vehicle or inexperienced with aftermarket upgrades, please seek professional installation.