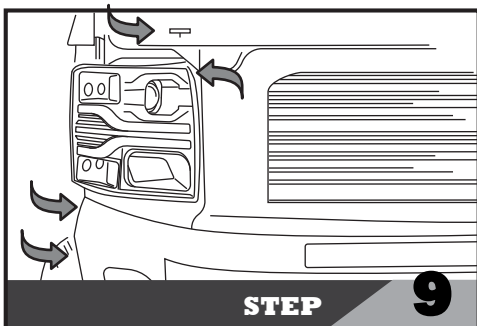


INSTALLATION

WWW.OPT-7.COM



- Line up the headlight housing mounting tabs and push rearward to seat in place as shown in step 9.
- Reinstall the 10mm bolts(4x) to secure the new headlight.
- Please test all functions before tightening all bolts and screws.
- Next, please restore other components (includes grille and filler panel) to factory settings.

DISCLAIMER

OPT7 Lighting is not liable for damages or personal injuries while installing this product. The Installation Guide is intended as assistance to reduce setup time. OPT7 Lighting assumes no responsibility for improper installation.

If you are unfamiliar with your vehicle or inexperienced with aftermarket upgrades, please seek professional assistance.

This holds a 60 days warranty starting from the order date.

NEED SUPPORT?



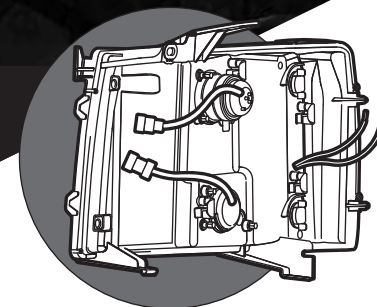
SCAN FOR TROUBLESHOOTING TIPS, AND MORE.

OPT7®

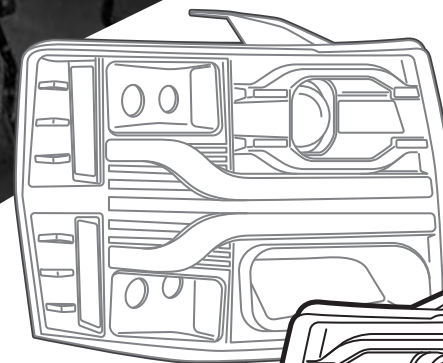
WHITE LED DRL PROJECTOR HEADLIGHTS

2007-2014 CHEVY SILVERADO

INSTALLATION MANUAL



BACK VIEW



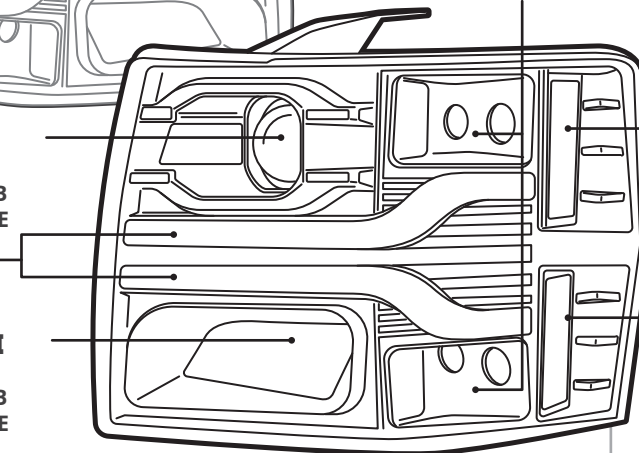
FRONT SIDE-MARKER

TURN SIGNAL & PARKING

LOW BEAM
INCLUDES
H1 HALOGEN BULB
PLUG N' PLAY WIRE

DRL

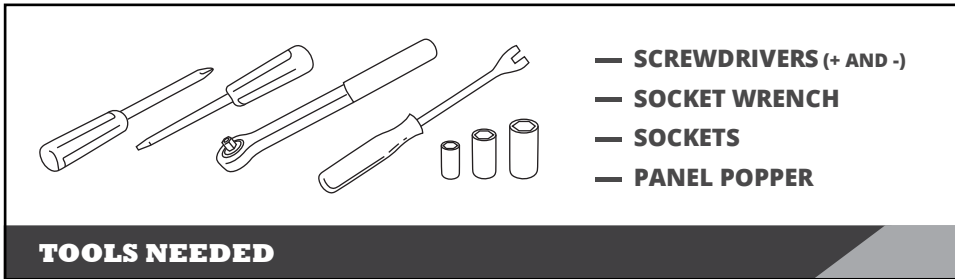
HIGH BEAM
INCLUDES
H1 HALOGEN BULB
PLUG N' PLAY WIRE



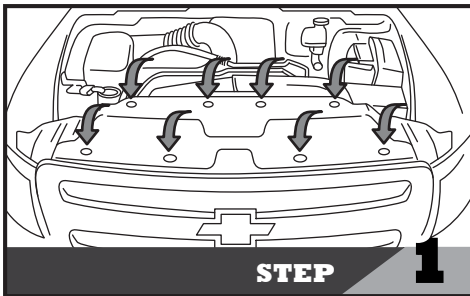
PRODUCT OVERVIEW

INSTALLATION

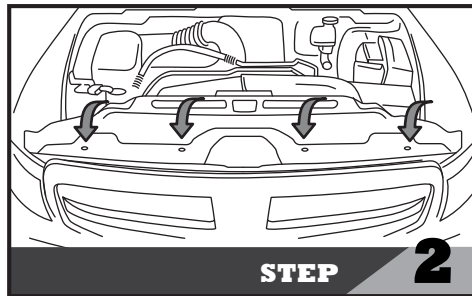
WWW.OPT-7.COM



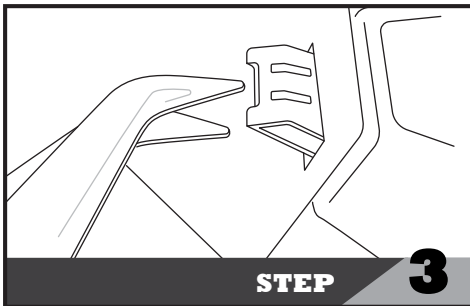
TOOLS NEEDED



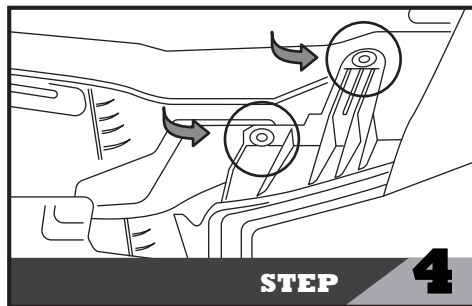
- Open the hood.
- Please find the 8 points marked in step 1 and remove the plastic fasteners (8x) from the filler panel.
- Remove the filler panel.



Remove the 10mm bolts(4x) from the grille as shown in step 2.



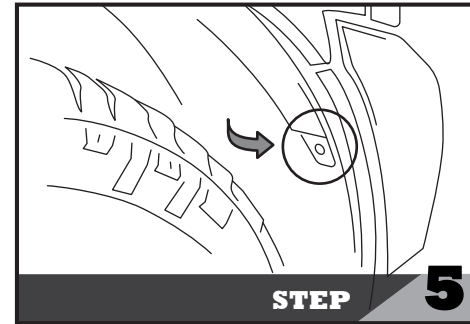
Remove the front grille by releasing (6x) retaining clips.



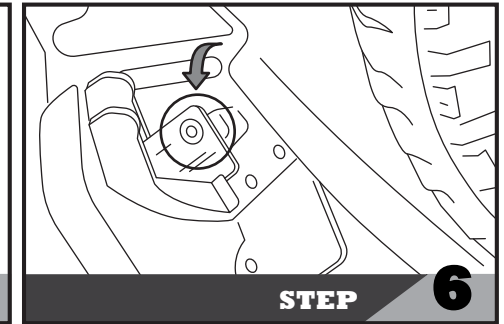
Remove the 10mm bolts (2x) from the OEM headlight as shown in step 4.

INSTALLATION

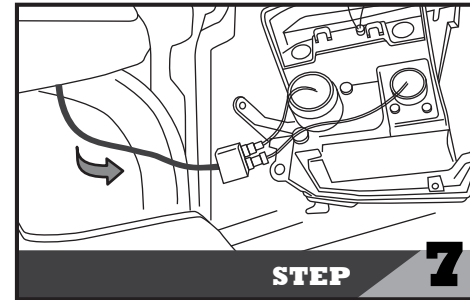
WWW.OPT-7.COM



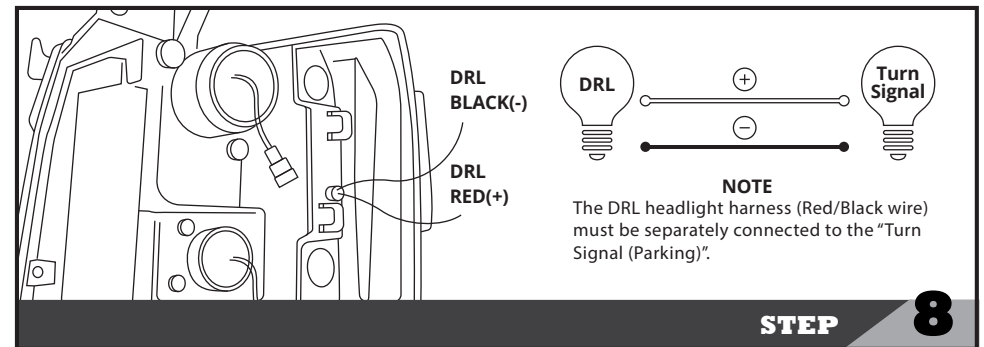
Remove the 10mm bolt (1x) to open the fender liner.



Next, please find the last 10mm bolt (1x) and remove it as shown in step 6.



Release the OEM headlight and disconnect the headlight harness.



- Reattach the electrical connectors to the new headlight housing as shown in step 8.
- Ensure the wires are tied up securely to ensure wires are organized and store away from any metal surface.