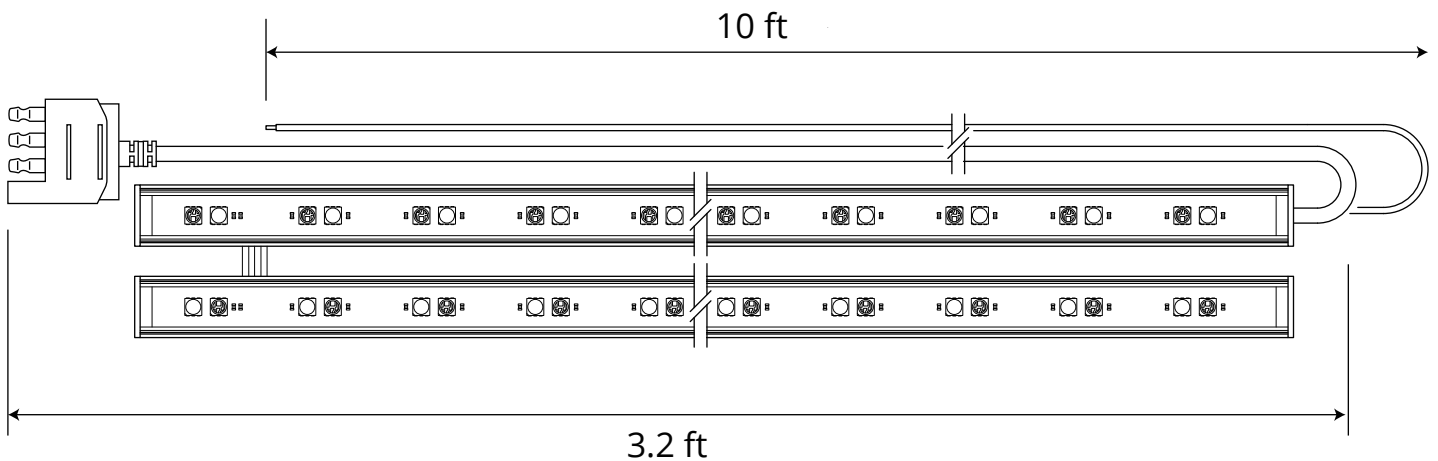


REDLINE PARLUX

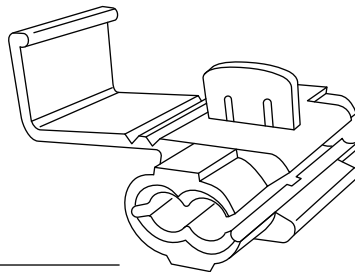
SINGLE ROW TAILGATE LIGHT BAR (2PC)

INSTALLATION GUIDE

WHAT'S INCLUDED



1X Redline LED Bar

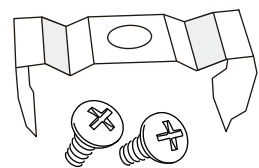


2X Scotch-Lok Wiring Connectors

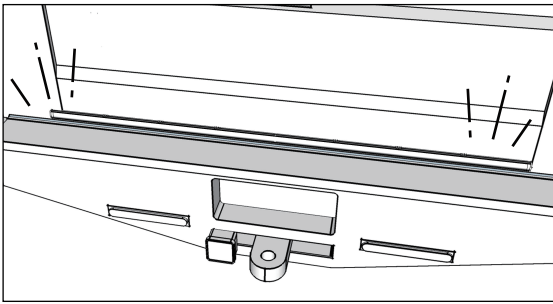
1X Adhesive Promoter



4X Mounting Clips

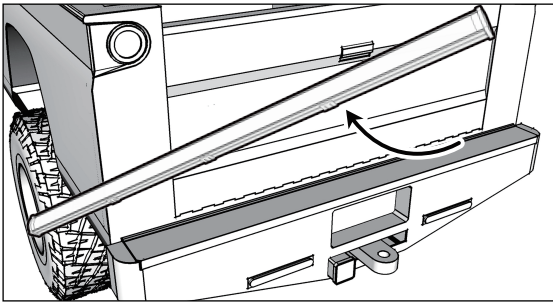


INSTALLATION



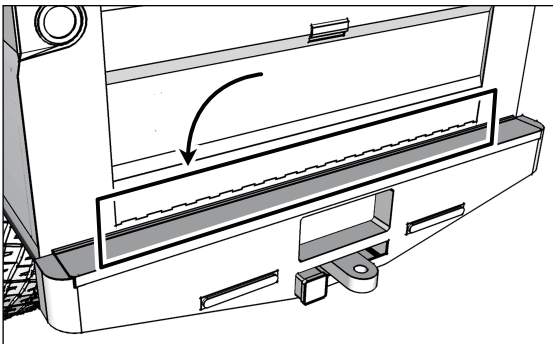
STEP 1

Test the Redline LED Bar for functionality before mounting on vehicle.



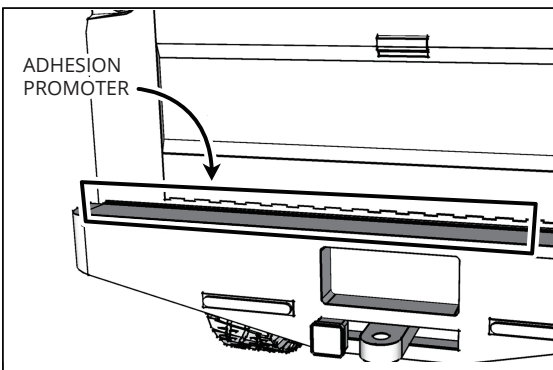
STEP 2

Remove the tailgate from vehicle to prep the area.



STEP 3

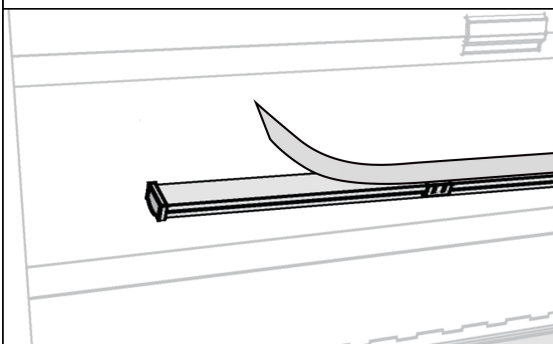
Thoroughly clean the area where the Redline LED Bar will be mounted.



STEP 4

Wipe the area to remove any dirt, or debris on the surface. Next, apply the Adhesive Promoter to the cleaned area.

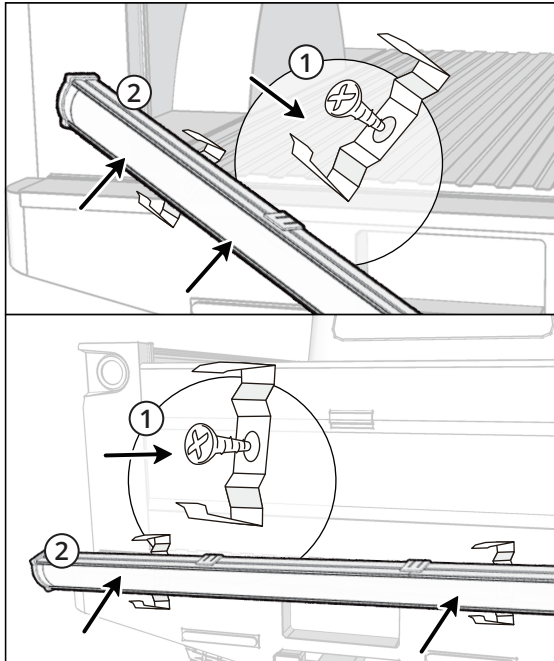
OPTION 1



STEP 5

On the Redline LED Bar, slowly peel the back off of the adhesive and apply firmly to the clean area of the truck's tailgate.

INSTALLATION



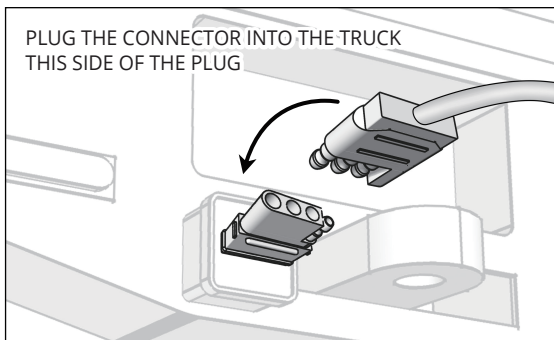
STEP 4

For optimal installation of the Redline LED Bar, carefully plan and mark the desired bracket mounting locations, taking placement into consideration to ensure a straight application.

OPTION 2

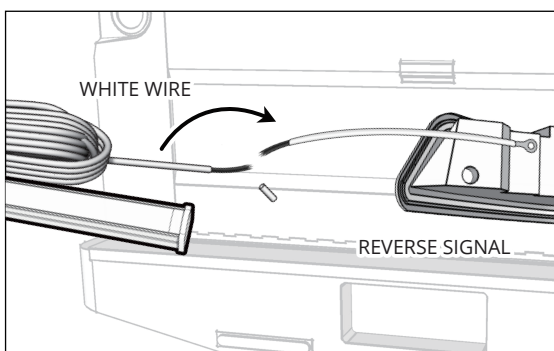
STEP 5

Securely mount the Redline LED Bar to your vehicle using the provided screws and clips to ensure a solid installation.



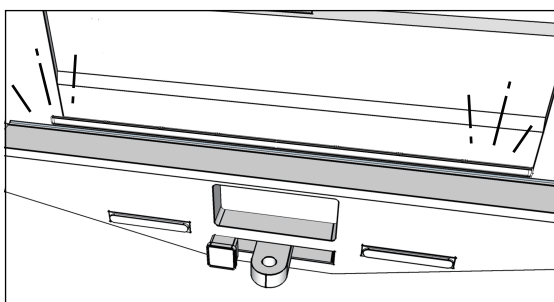
STEP 6

Plug the 4-pin flat connector into the proper receptacle on the vehicle.



STEP 7 WHERE TO CONNECT THE REVERSE SIGNAL ?

Splice the white wire coming from the Redline LED Bar to the factory tail light and use the SCOTCH-LOK wiring connector we provided.



STEP 8

Test the Redline LED Bar again for function.

OPTIONAL

HOW TO CONNECT TO YOUR VEHICLE ?

The diagrams are the recommend installation method for the Redline Single Tailgate Light Bar. Please confirm the year model and make of your vehicle before installing.

Feel free to contact us using the link below for product inquiries or installation support.
OPT7 Support Team: <https://www.opt-7.com/pages/customer-support>

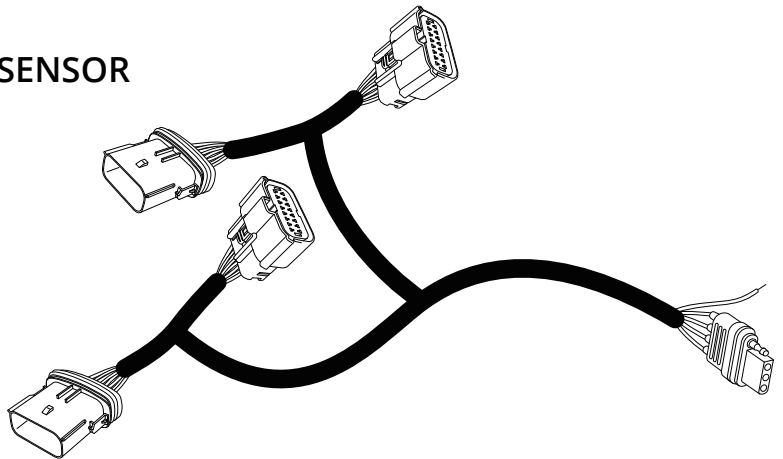
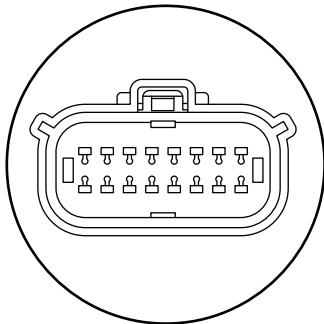
Notice: Redline Adapter Connectors are sold separately. Please refer to the following links

<https://www.opt-7.com/collections/tailgate-light-bars-accessories>

2015~2020 F150 (16PIN)

ALL MODELS

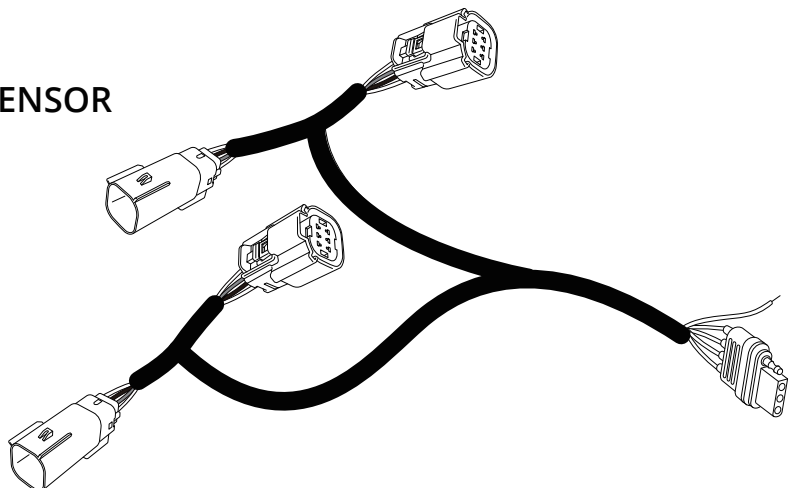
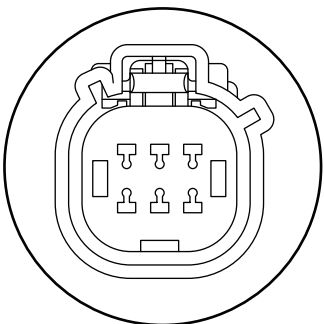
WITH BLIS/BACKUP CAMERA/ASSIST SENSOR



2018~2020 F150 (6PIN)

XL, XLT, LARIAT

NO BLIS/BACKUP CAMERA/ASSIST SENSOR

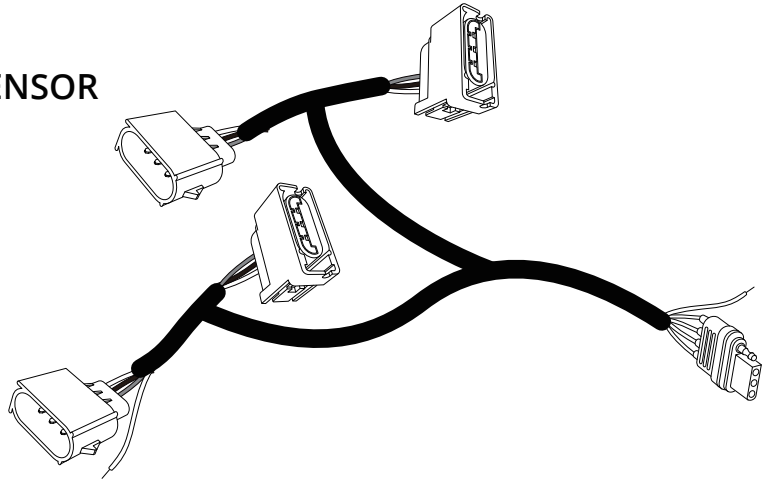
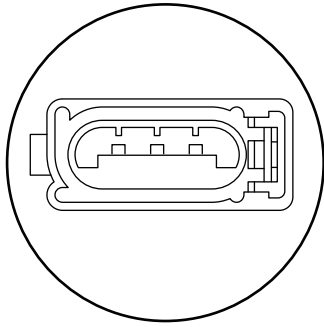


OPTIONAL

2015~2018 F150 (3PIN)

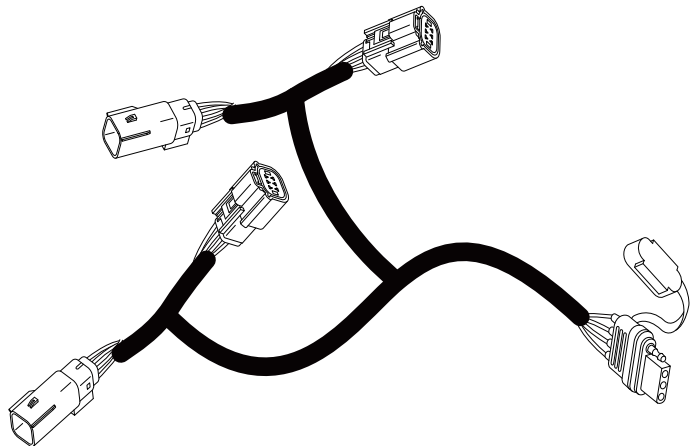
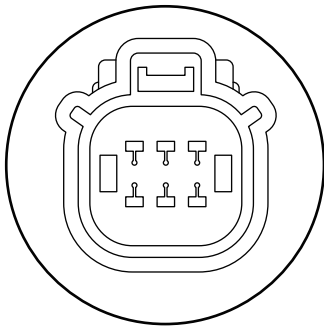
XL, XLT, LARIAT

NO BLIS/BACKUP CAMERA/ASSIST SENSOR

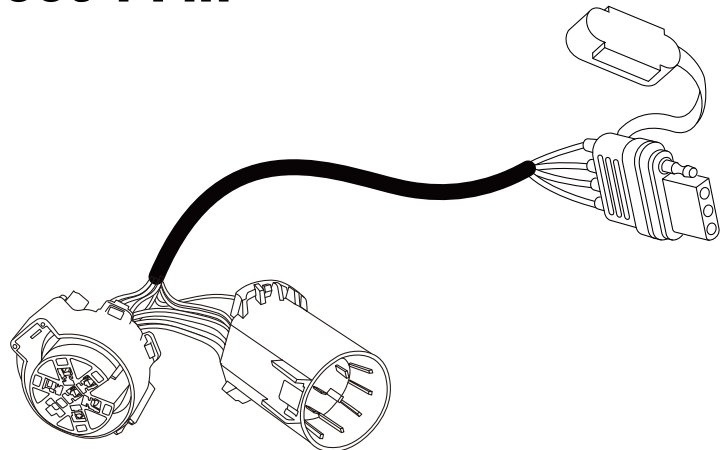


2019+ Silverado/Sierra 1500 (6PIN)

ALL MODELS



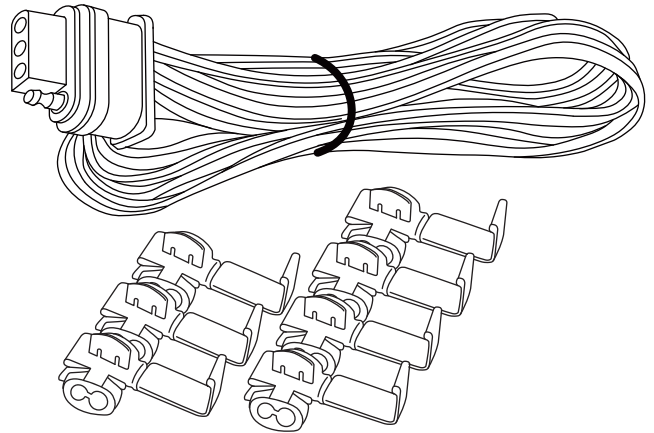
Dual 7-Pin Splitter to 4 Foot 4-Pin



OPTIONAL

OPT7 Redline 4.9ft Hardwire Harness

For Tailgate Light Bars
(7 Wiring Connectors Included)

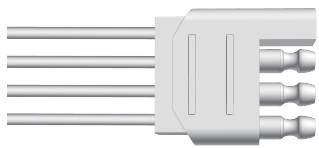


HARD WIRING

If hard-wiring, use image below to identify wire color functions and pair them to appropriately identified wires on vehicle.

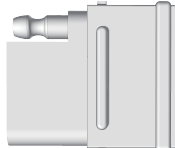
TO REDLINE LED BAR

Ground
Running Light
Left Turn & Brake
Right Turn & Brake



TRAILER HARDWIRE HARNESS

White/Ground
Brown/Running Light
Yellow/Left Turn & Brake
Green/Right Turn & Brake



DISCLAIMER

OPT7 Lighting is not liable for damages, injuries, or death while installing this product. The Installation Guide is intended as assistance to reduce setup time. OPT7 Lighting assumes no responsibility for improper installation. If you are unfamiliar with your vehicle or inexperienced with aftermarket upgrades, please seek professional assistance.

2 YEAR
WARRANTY