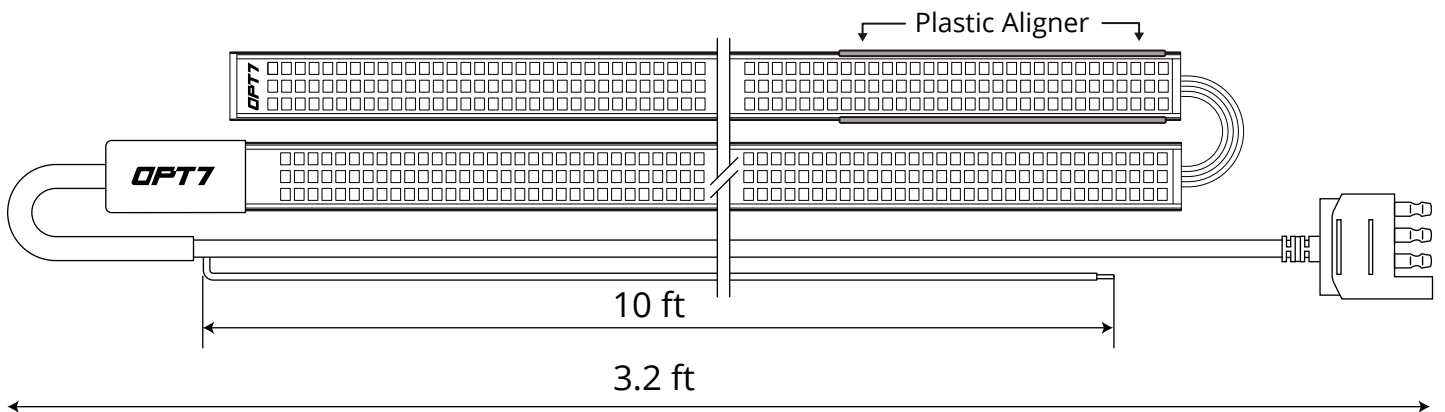


REDLINE PARLUX

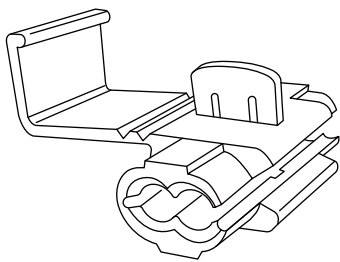
TRIPLE TAILGATE LIGHT BAR (2PC)

INSTALLATION GUIDE

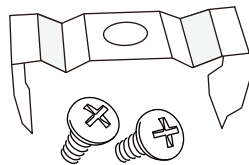
WHAT'S INCLUDED



1X Triple Redline LED Bar with a Plastic Aligner



2X Scotch-Lok
Wiring Connectors

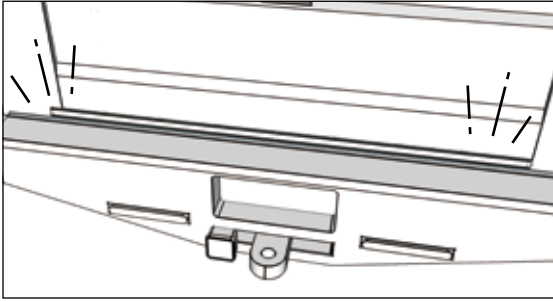


4X Mounting
Clips



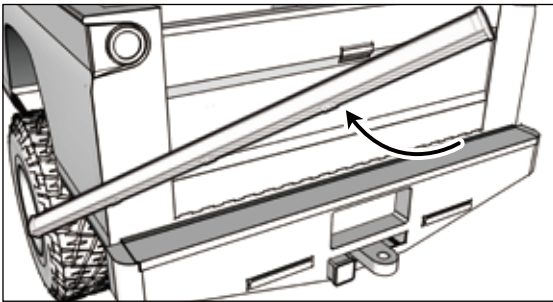
1X Adhesive
Booster

INSTALLATION



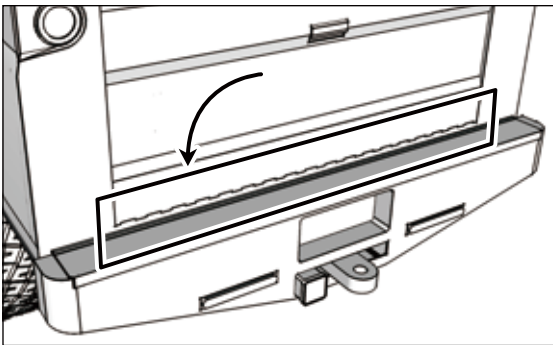
STEP 1

Test the Redline LED Bar for functionality before mounting it on the vehicle.



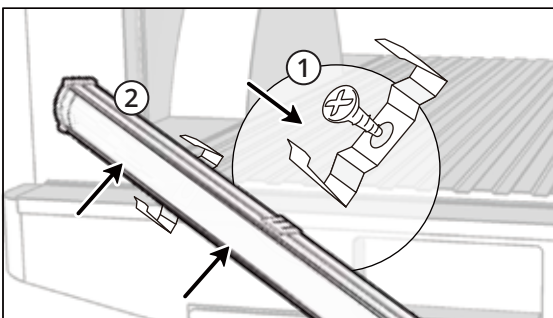
STEP 2

Remove the tailgate from the vehicle to prep the area.



STEP 3

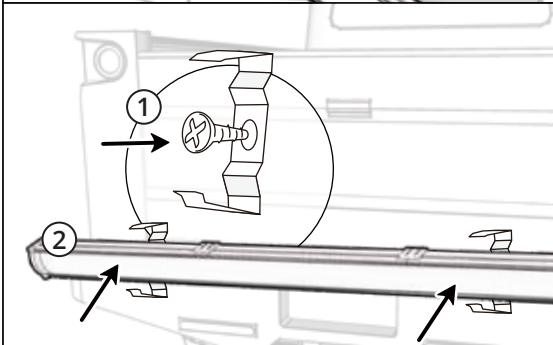
Thoroughly clean the area where the Redline LED Bar will be mounted.



STEP 4

For optimal installation of the Redline LED Bar, carefully plan and mark the desired bracket mounting locations, considering placement to ensure a straight application.

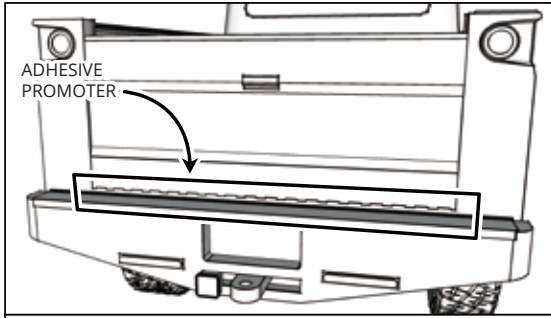
OPTION 1



STEP 5

Securely mount the Redline LED Bar to your vehicle using the provided screws and clips to ensure a solid installation.

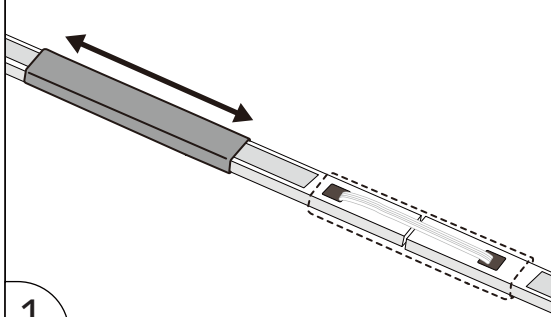
INSTALLATION



STEP 4

Apply the Adhesive Promoter to the cleaned area.

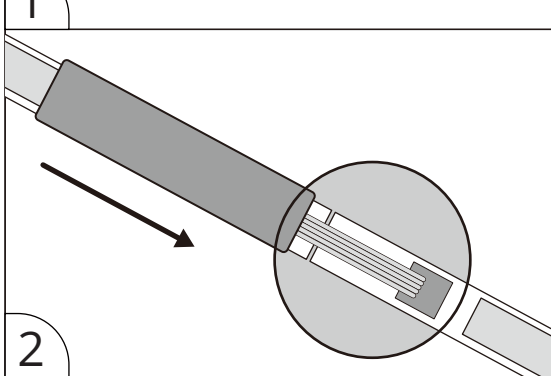
OPTION 2



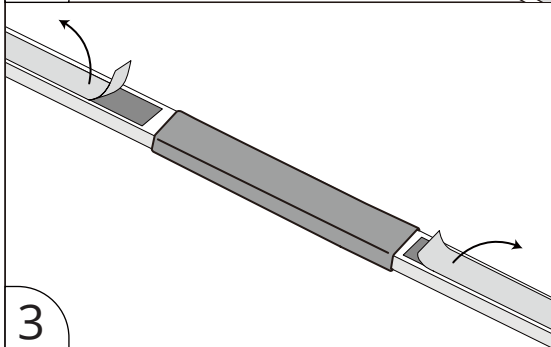
STEP 5

In order to install the light bar smoothly, we recommend you to operate at a flat surface.

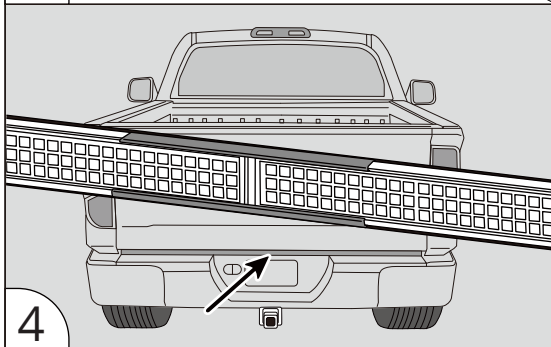
1. Install the plastic aligner on the light bar and make sure, the plastic aligner is able to slide through the whole bar.



2. Align both sides of the light bar to match each other and avoid squeezing the wires, slide the plastic aligner to the middle of the light bar carefully.

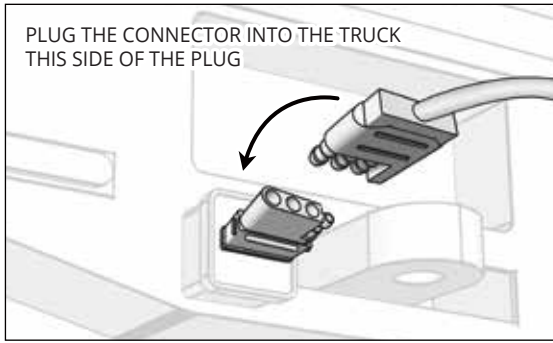


3. When the two light bars are connected together through the plastic aligner, remove the double side tape.



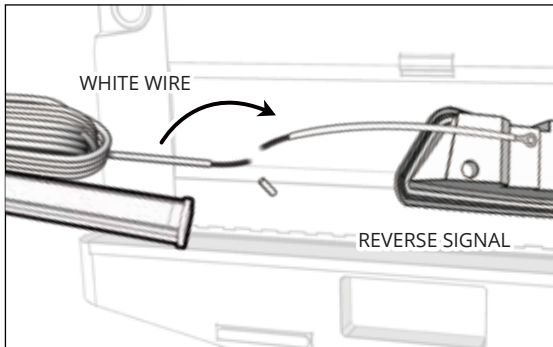
4. Align the light bar to the location you wish to install and tape it.

INSTALLATION



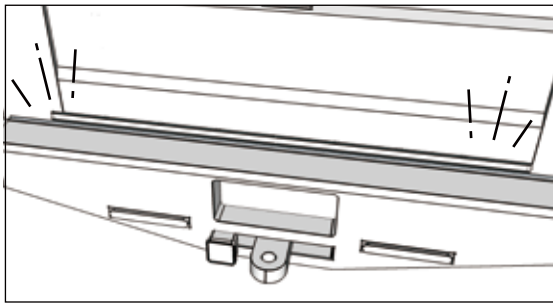
STEP 6

Plug the 4-pin flat connector into the proper receptacle on the vehicle.



STEP 7 WHERE TO CONNECT THE REVERSE SIGNAL ?

Splice the white wire coming from the Redline LED Bar to the factory tail light and use the SCOTCH-LOK wiring connector we provided.



STEP 8

Test the Redline LED Bar again for function.

OPTIONAL

HOW TO CONNECT TO YOUR VEHICLE ?

The diagrams are the recommend installation method for the Redline Triple Tailgate Light Bar. Please confirm the year model and make of your vehicle before installing.

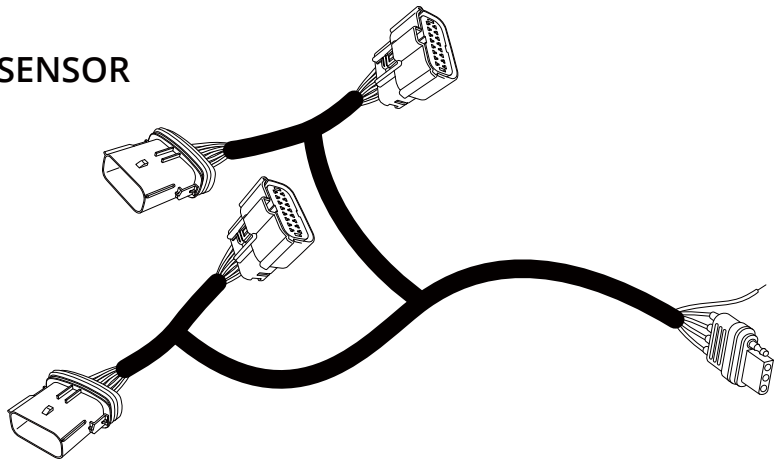
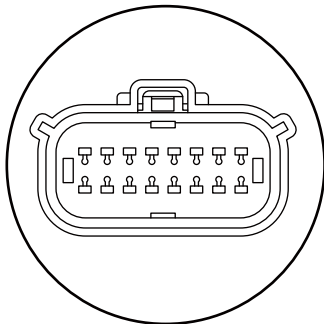
Feel free to contact us using the link below for product inquiries or installation support.
OPT7 Support Team: <https://www.opt-7.com/pages/customer-support>

Notice: Redline Adapter Connectors are sold separately. Please refer to the following links
<https://www.opt-7.com/collections/tailgate-light-bars-accessories>

2015~2020 F150 (16PIN)

ALL MODELS

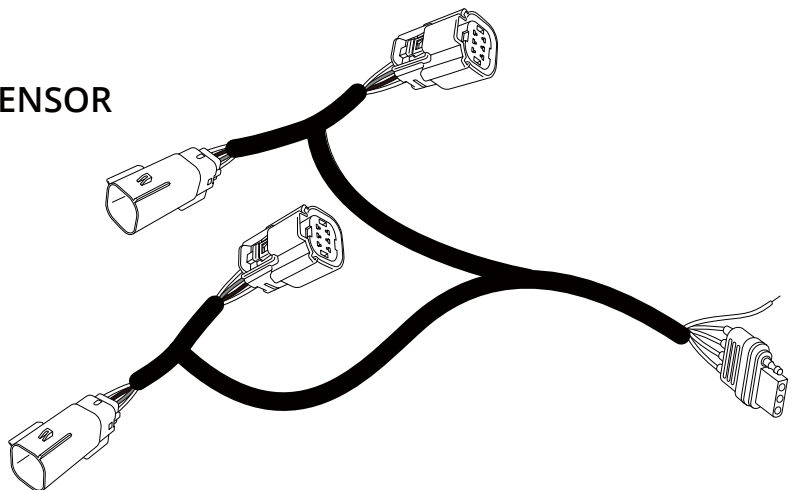
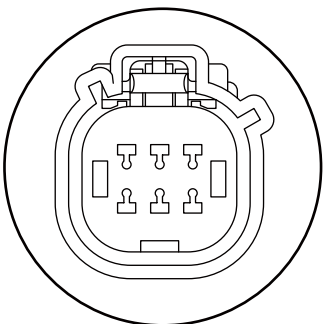
WITH BLIS/BACKUP CAMERA/ASSIST SENSOR



2018~2020 F150 (6PIN)

XL, XLT, LARIAT

NO BLIS/BACKUP CAMERA/ASSIST SENSOR

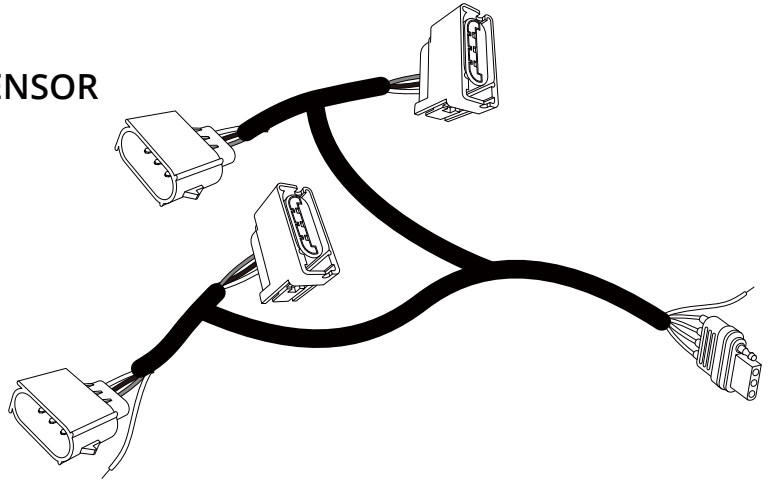
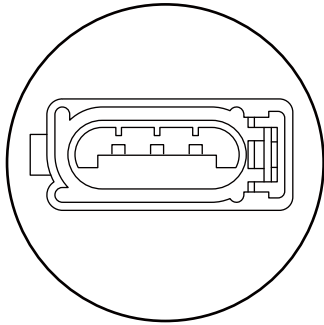


OPTIONAL

2015~2018 F150 (3PIN)

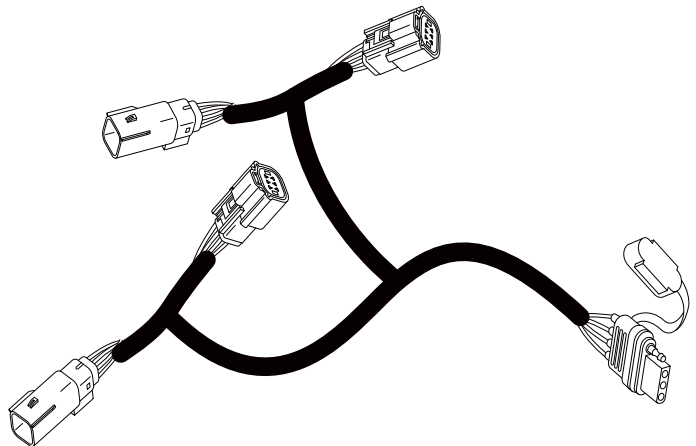
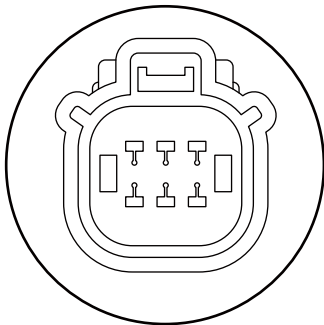
XL, XLT, LARIAT

NO BLIS/BACKUP CAMERA/ASSIST SENSOR

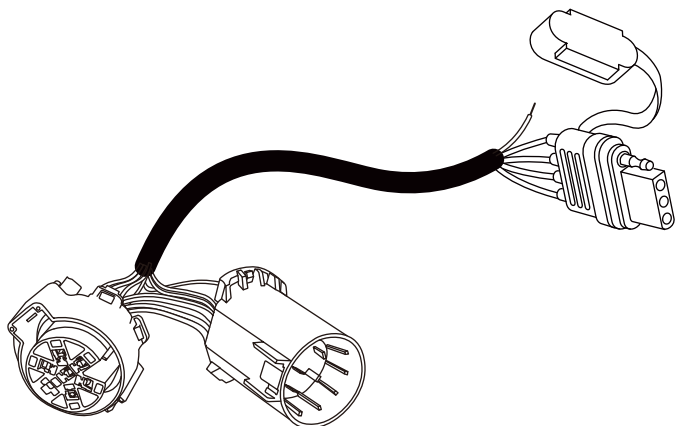


2019+ Silverado/Sierra 1500 (6PIN)

ALL MODELS



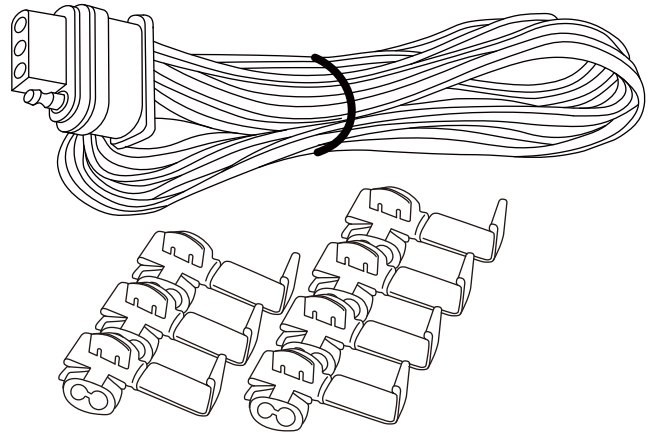
OPT7 Easy Connect USCAR 7 Pin to 4 Pin Harness with Reverse Wire



OPTIONAL

OPT7 Redline 4.9ft Hardwire Harness

For Tailgate Light Bars
(7 Wiring Connectors Included)

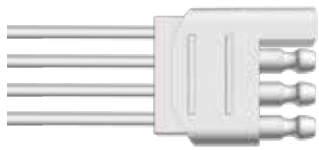


HARD WIRING

If hard-wiring, use image below to identify wire color functions and pair them to appropriately identified wires on vehicle.

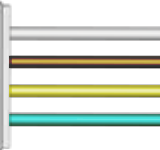
TO REDLINE LED BAR

Ground
Running Light
Left Turn & Brake
Right Turn & Brake



TRAILER HARDWIRE HARNESS

White/Ground
Brown/Running Light
Yellow/Left Turn & Brake
Green/Right Turn & Brake



DISCLAIMER

OPT7 Lighting is not liable for damages, injuries, or death while installing this product. The Installation Guide is intended as assistance to reduce setup time. OPT7 Lighting assumes no responsibility for improper installation. If you are unfamiliar with your vehicle or inexperienced with aftermarket upgrades, please seek professional assistance.

2 YEAR
WARRANTY